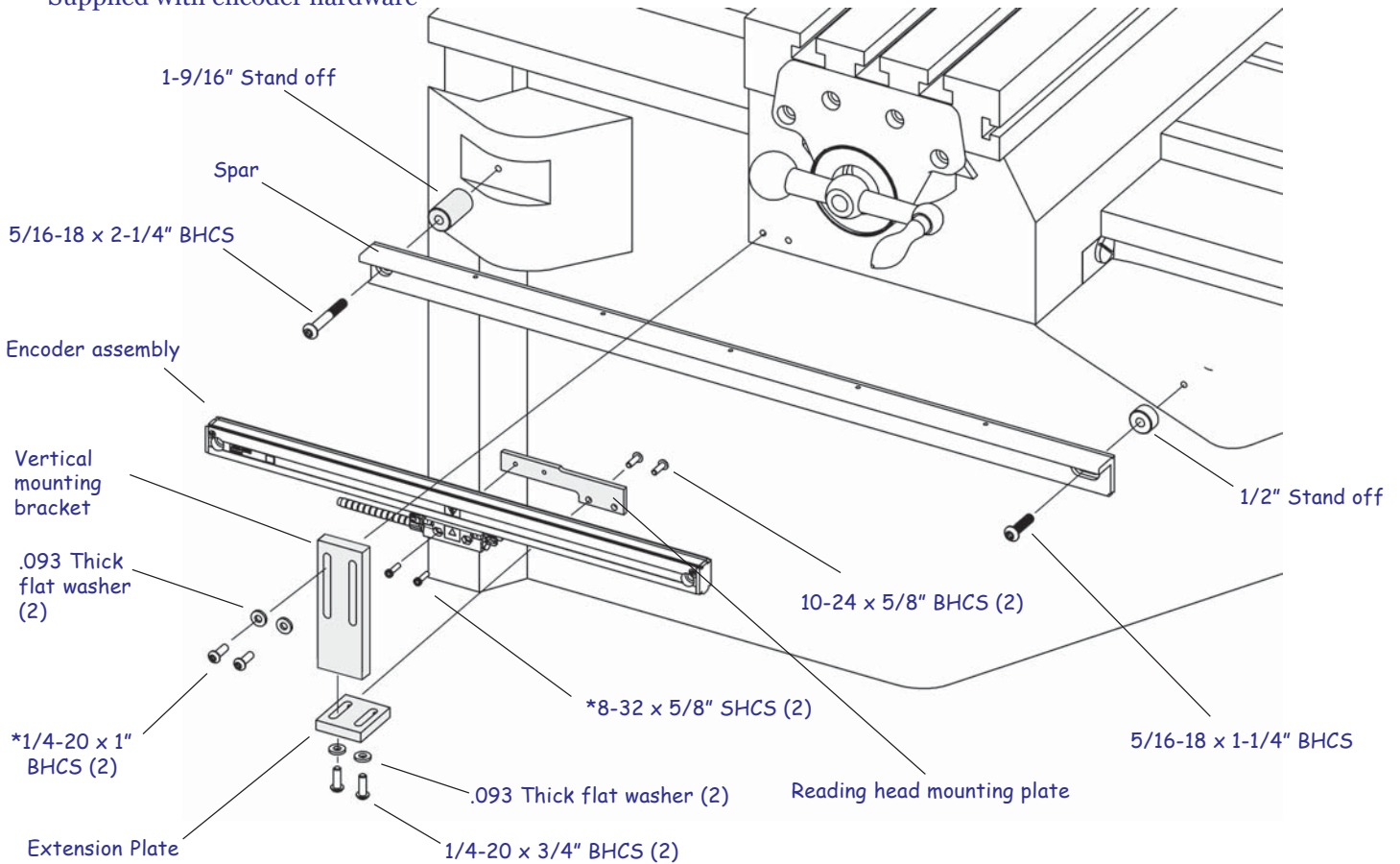


Cross Feed Installation ...

* Supplied with encoder hardware



Mounting Information...

These are application instructions for mounting the cross feed “Y” axis SENC 150 encoder on a Bridgeport Series II knee mill.

Before proceeding:

- Please read the Procedure completely.
- Mount X axis prior to installing the cross feed.
- Ensure that the correct length encoder is being used for the total axis travel.
- Keep the reading head centered during installation.
- Clean the mounting surfaces.
- Save the alignment brackets with the Encoder Reference Manual after installation is completed.

First Steps ...

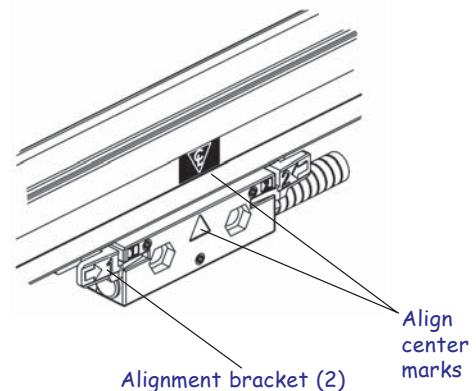
Machine

- ✓ Move the table to its center of travel.
- ✓ Mark the axis so that it can be re-centered easily.
- ✓ Move the table completely to the right.

Encoder

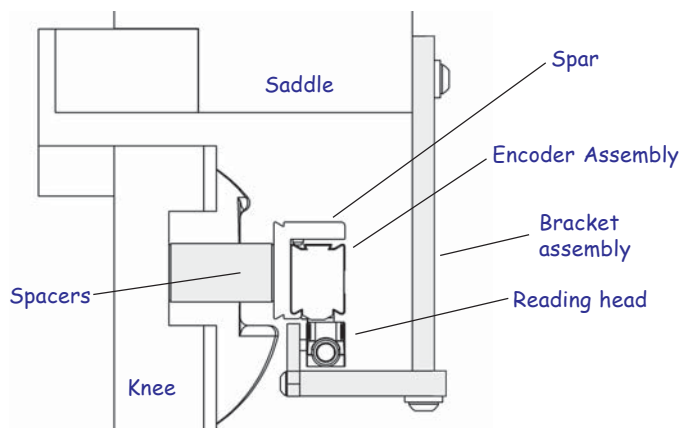
- ✓ Unpack encoder in a safe, convenient location.
- ✓ Do not remove the reading head alignment brackets until instructed.

Center reading head ...



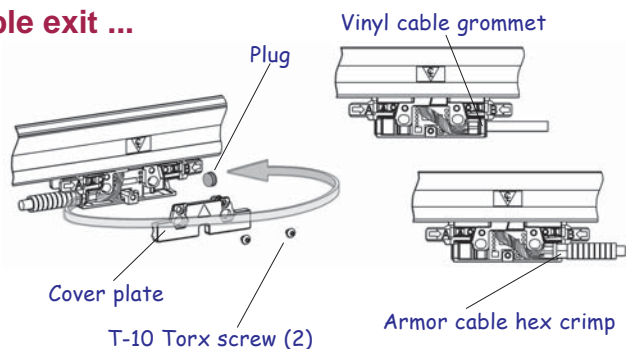
- Slide the reading head and brackets along the scale case until the center marks on the scale case and reading head are aligned.

Encoder orientation ...



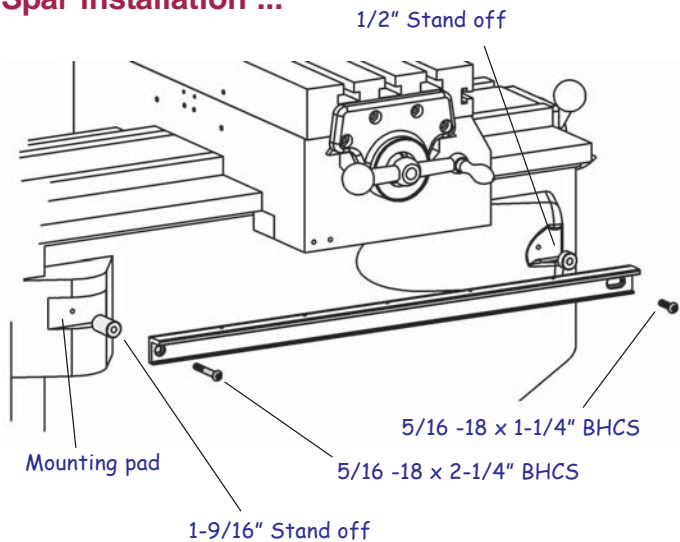
- These instructions will guide you through installing the encoder as shown in this view.

Cable exit ...

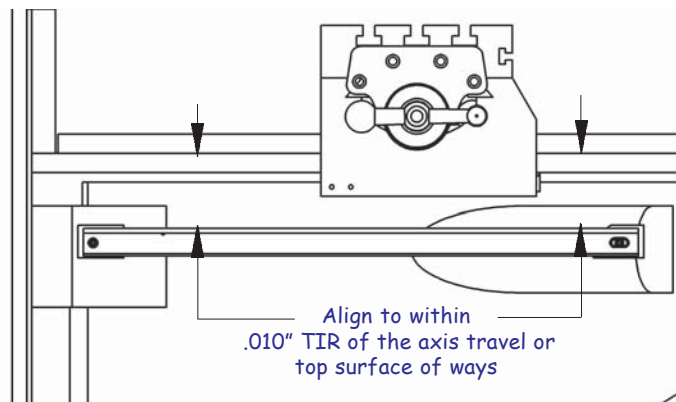


- Determine the cable exit direction before installing the encoder.
- To change the cable exit direction, remove the cover plate and rotate the cable 180°.

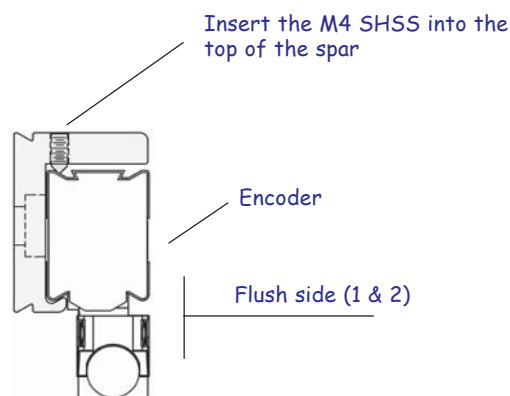
Spar installation ...



- Attach the spar to the knee with the standoffs onto the mounting pads.

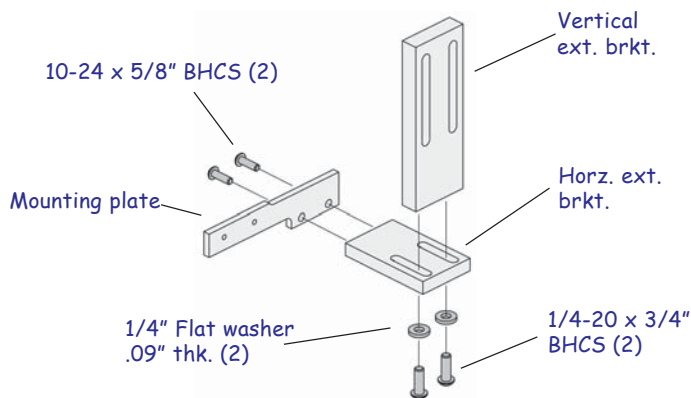


- Align the spar top and front surface to the axis travel.

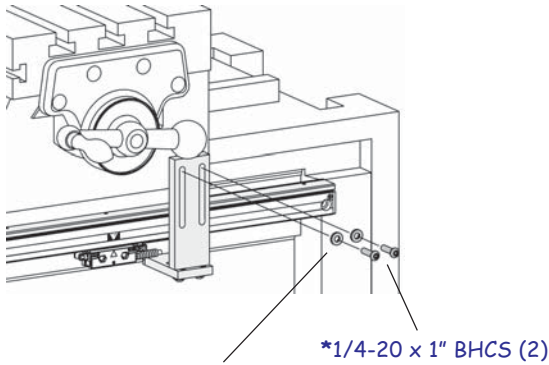


- Insert the encoder into the spar as shown, and center from end to end. Tighten the center set screw only.

Bracket installation ...

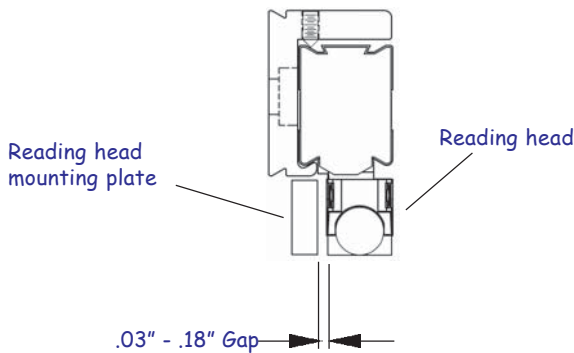


- Assemble the brackets, fully extending the horizontal extension plate.

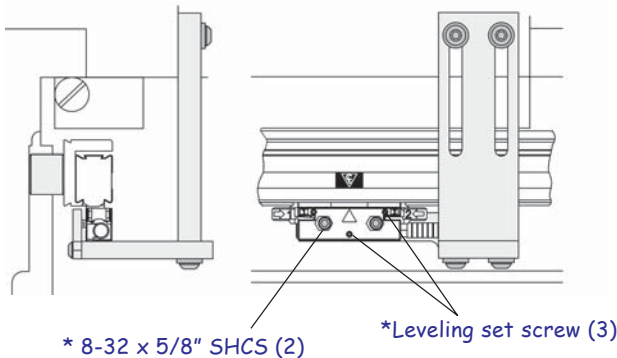


1/4" Flat washer x .09" thk. (2)

- Loosely attach the bracket assembly to the saddle.



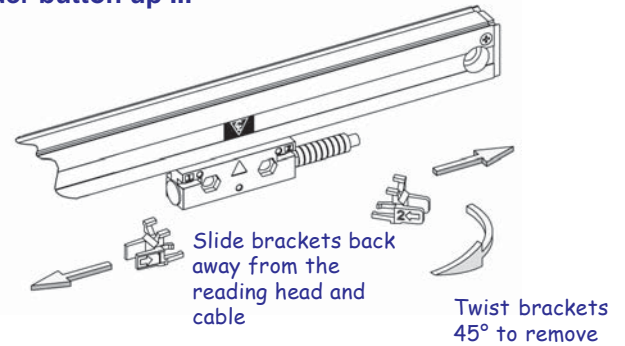
- Adjust the mounting plate clearance so that a gap of .03" - .18" exist.
- Align the reading head mounting holes with the mounting plate tapped holes.
- Secure the bracket assembly in place.



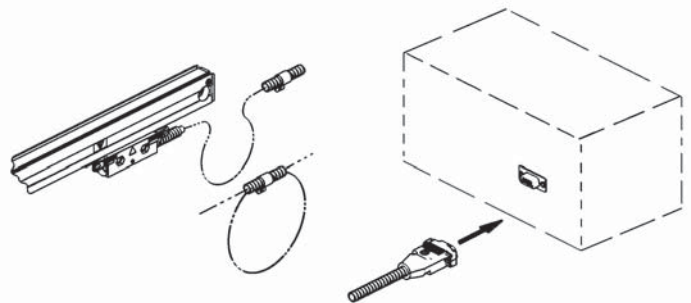
- Insert the two *8-32 x 5/8" SHCS. Ensure the bracket assembly is adjusted to provide proper screw head clearance. **Do Not Tighten Screws** at this time.

- Set each leveling set screw by placing a .001" - .003" feeler gage between the set screw and the bracket.
- Adjust each set screw until a slight drag is felt on the feeler gage.
- Evenly tighten** the two 8-32 SHCS.

Encoder button up ...



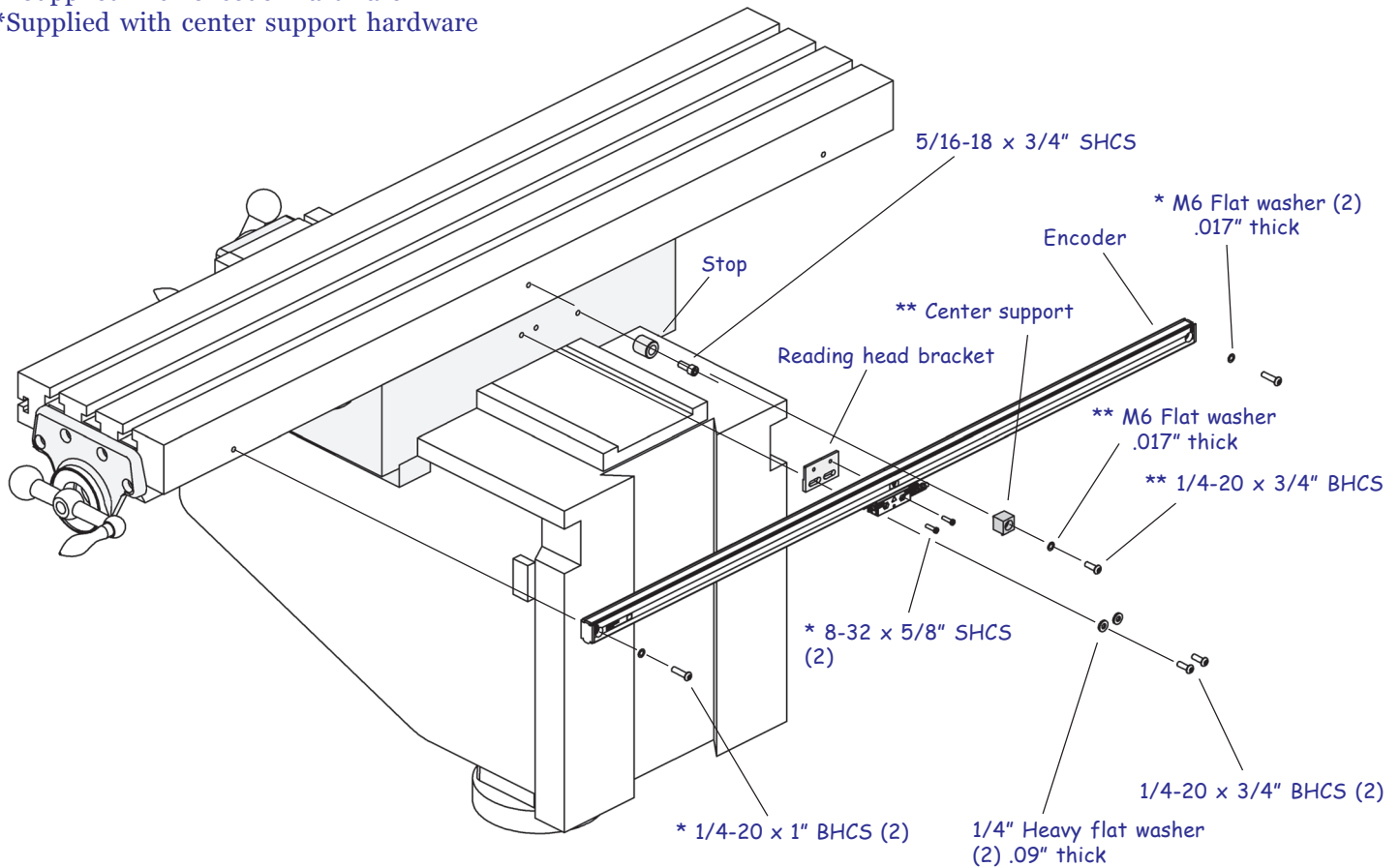
- Use allen wrench from set screw adjustment to slide alignment brackets away from the reading head.
- Remove alignment brackets and save for possible future use.
- Move the axis through its full travel. Confirm that the assembly does not interfere with the machine movement.



- With the longitudinal axis installation complete, route the cables providing sufficient slack loops for machine movement to the readout.
- Secure cables by fastening with clips or ties.
- Attach the linear encoder connectors to the readout.
- Complete the installation by following the steps in "Checking Your Installation" section in the encoder "Reference Manual".

Longitudinal Installation ...

- * Supplied with encoder hardware
- **Supplied with center support hardware



Mounting Information...

These are application instructions for mounting the longitudinal "X" axis SENC 150 encoder.

Before proceeding:

- Please read the instructions completely.
- Mount X axis prior to installing the cross feed.
- Insure that the correct length encoder is being used for the total axis travel.
- Keep the reading head centered during installation.
- Clean the mounting surfaces.
- Save the alignment brackets with the Encoder Reference Manual after installation is completed.

First Steps ...

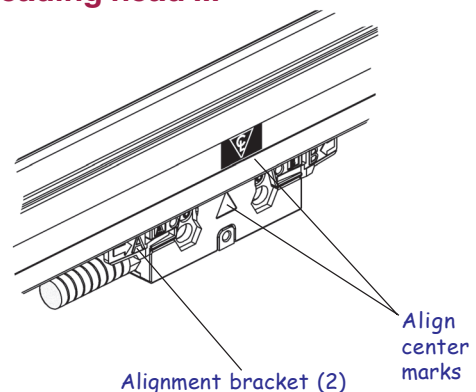
Machine

- ✓ Move the table to its center of travel.
- ✓ Mark the axis so that it can be re-centered easily.
- ✓ Move the saddle completely forward on the knee.

Encoder

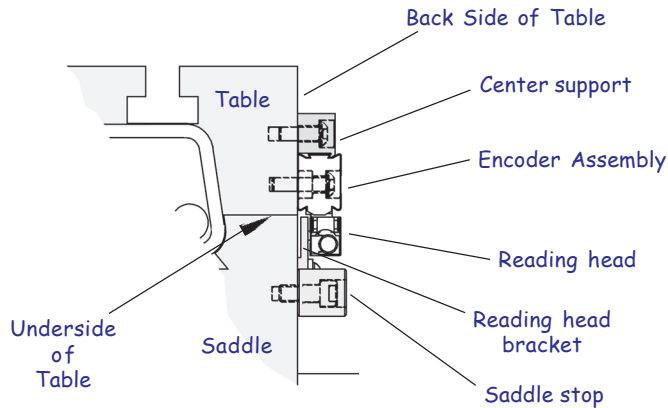
- ✓ Unpack encoder in a safe, convenient location.
- ✓ Do not remove the reading head alignment brackets until instructed.

Center reading head ...



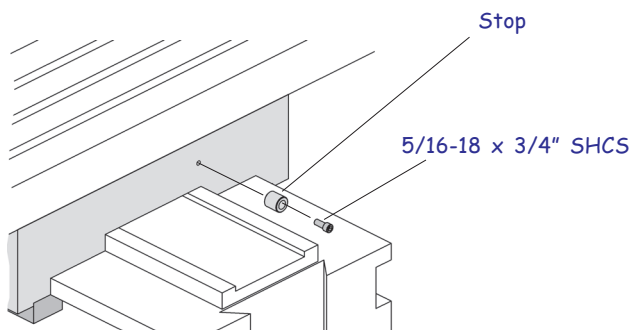
- Slide the reading head and brackets along the scale case until the center marks on the scale case and reading head are aligned.

Encoder orientation ...



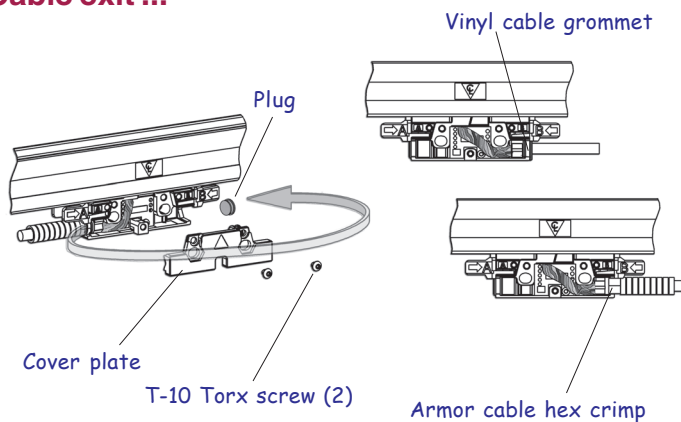
- These instructions will guide you through installing the encoder as shown in this view.

Saddle stop ...



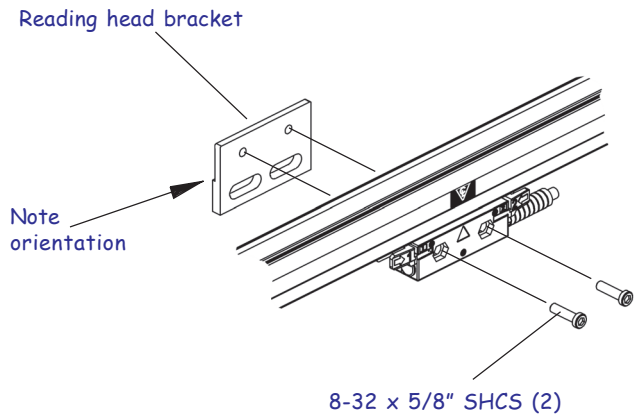
- Locate the stop approximately 1/2" down from the top edge of the saddle, in line with the column way.
- Drill and tap location for 5/16-18 x 1/2" deep.

Cable exit ...

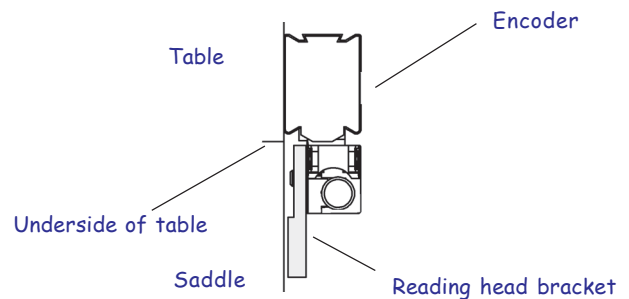


- Determine the cable exit direction before installing the encoder.
- To change the cable exit direction; remove the cover plate and rotate the cable 180°.

Encoder Installation ...

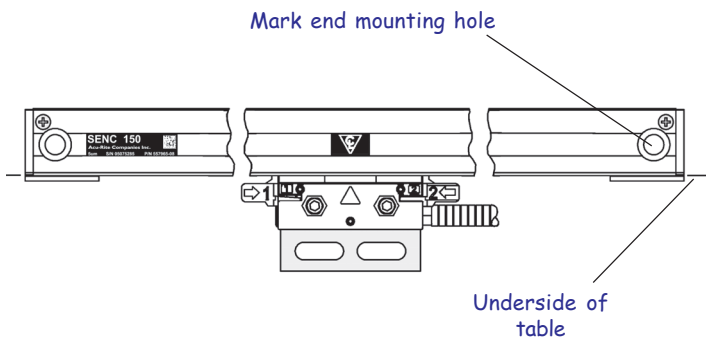


- Temporarily attach the bracket to the reading head.

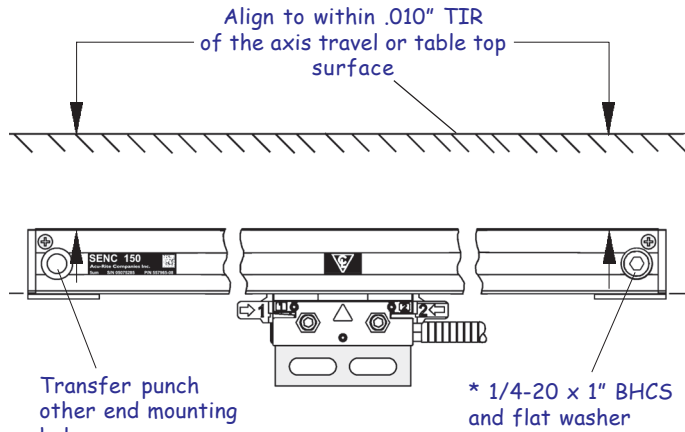


- With the table at its center of travel, set the encoder against the table and the reading head bracket against the saddle.

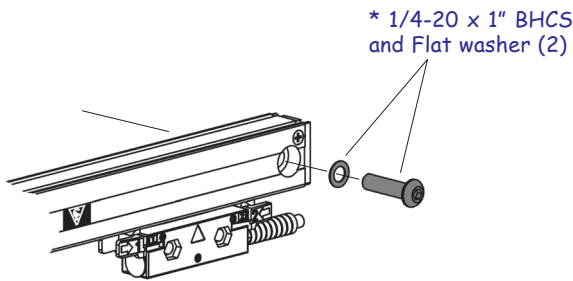
Note: Raise the assembly above the way cover plate if the bracket interferes with it. The step in the bracket can not be above the underside of the table



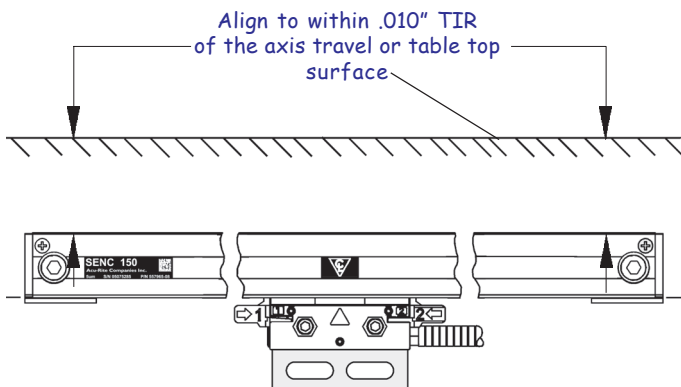
- Center the encoder on the back side of the table. Position the underside of the end caps flush with the underside of the table (see note above) or parallel with the table top.
- Mark one end mounting hole location to the back side of the table and remove the assembly.
- Drill and tap hole location for a 1/4-20 x 1/2" deep.



- Fasten the encoder assembly at one end.
- Align the top of the encoder to the axis travel or table top surface.
- Transfer punch the second end mounting hole, and remove the encoder.
- Drill and tap hole location for a 1/4-20 x 1/2" deep.

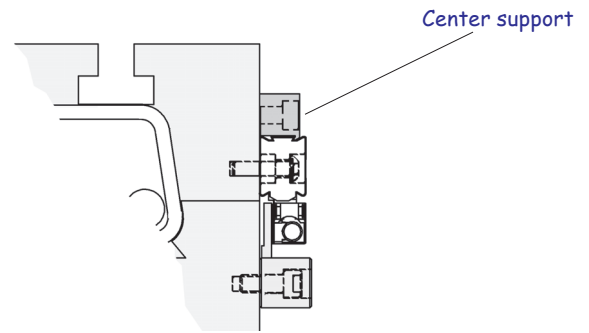


- Attach the encoder to the table.

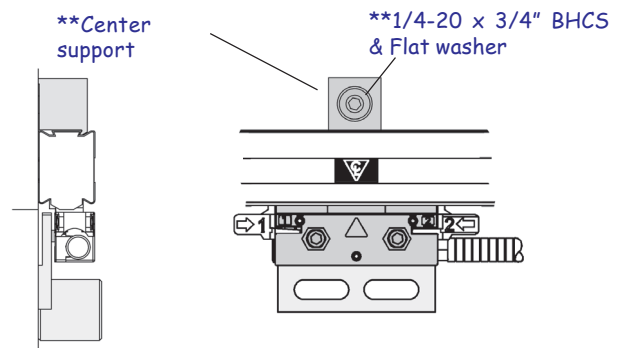


- Align the top of the encoder to within .010" TIR.
- Secure the encoder in place maintaining alignment.

Center support installation ...

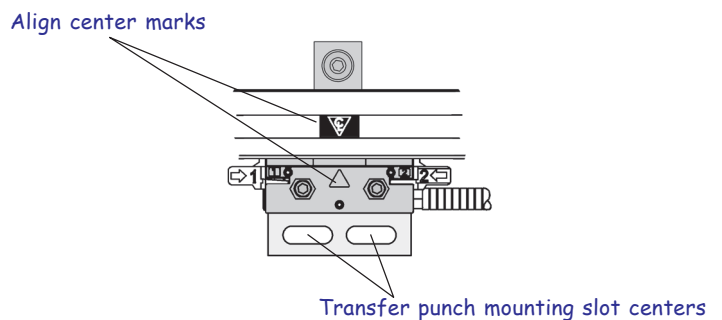


- Insert the center support to the top of the scale case above the center location tag.
- Ensure that the center support interlocks with the scale case.

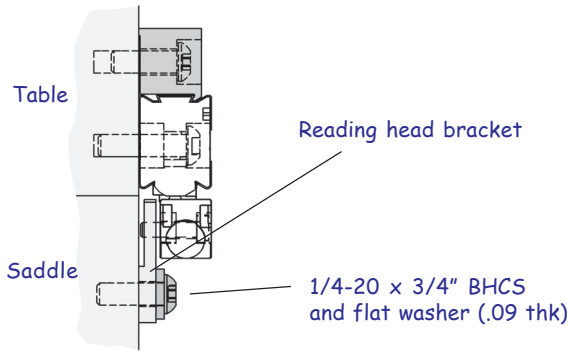


- Align the center of the scale case to within .010" to the ends, and transfer punch the support hole location.
- Remove the center support, drill and tap the hole location for an 8-32 x 1/2" deep.
- Attach the center support to the scale case and table. Align the center of the scale case with each end to within .010" and secure in place.

Reading head installation ...

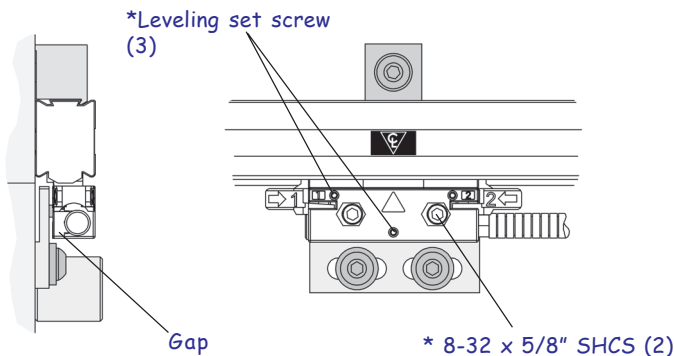


- Return the table to its center of travel.
- Transfer punch bracket mounting slot centers to the saddle.
- Remove the bracket from the reading head.
- Drill / tap hole locations for 1/4-20 x 1/2" deep.



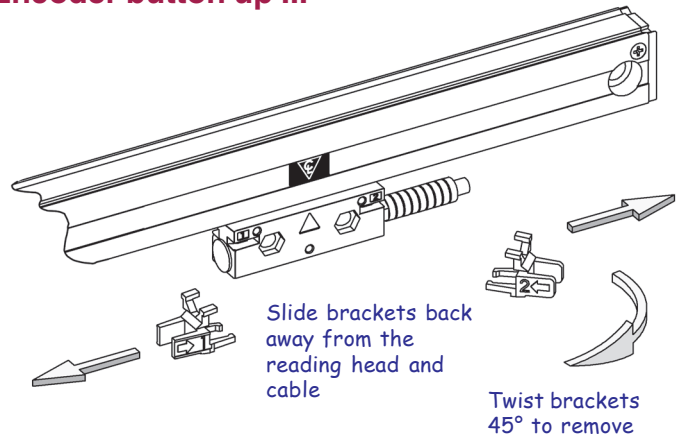
- Attach the reading head bracket to the saddle, and align the bracket tapped holes to the reading head mounting holes.
- Secure the bracket in place.

Leveling screw adjustment ...



- A gap will exist between the reading head and the bracket.
- Insert the two *8-32 x 5/8" SHCS. Insure the bracket is adjusted to provide proper screw head clearance. **Do Not Tighten Screws** at this time.
- Set each leveling set screw by placing a .001" - .003" feeler gage between the set screw and the bracket.
- Adjust each set screw until a slight drag is felt on the feeler gage.
- **Evenly tighten** the two 8-32 SHCS.

Encoder button up ...



- Use allen wrench from set screw adjustment to slide alignment brackets away from the reading head.
- Remove alignment brackets and save.
- Move the axis through its full travel. Confirm that the assembly does not interfere with the machine movement.

Proceed with the Cross Feed installation